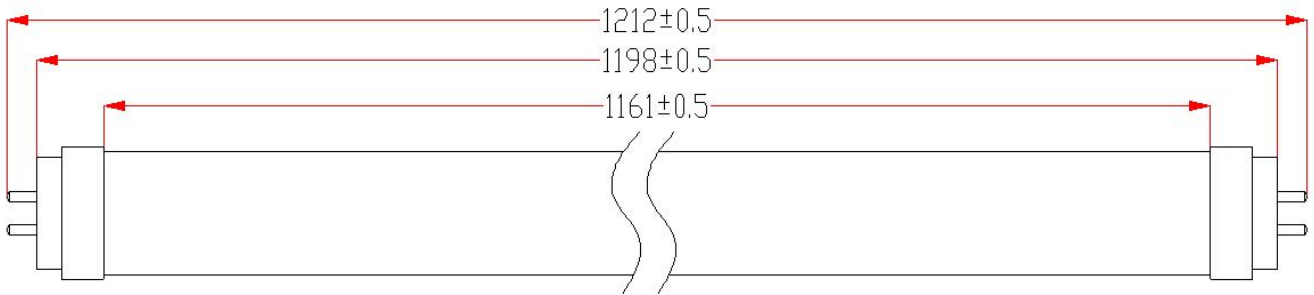
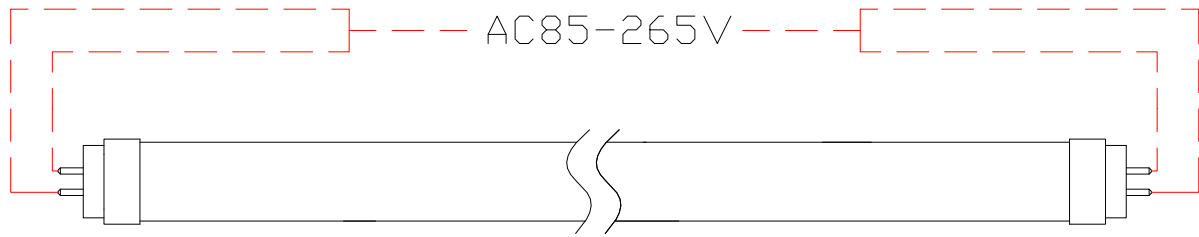


5D Dimensions



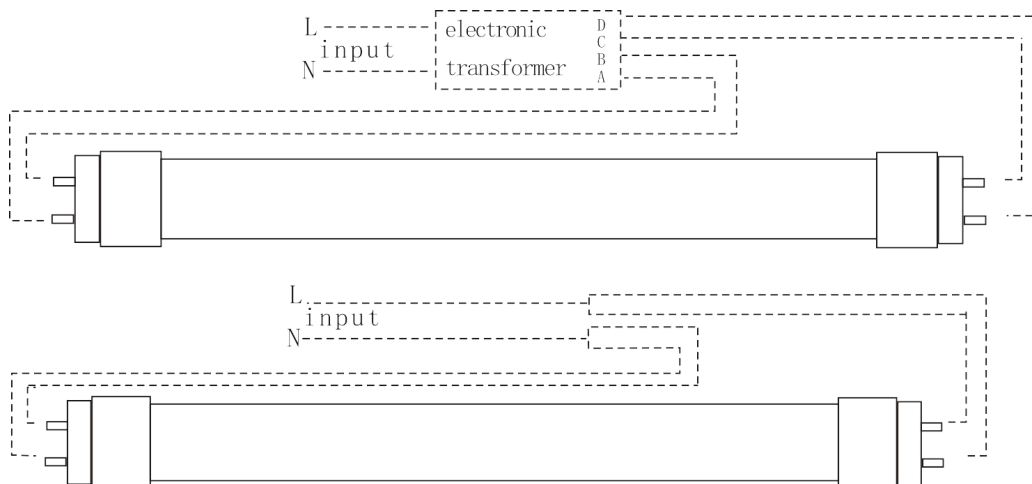
6D Assembly Technology Drawing



7D Wiring Instruction

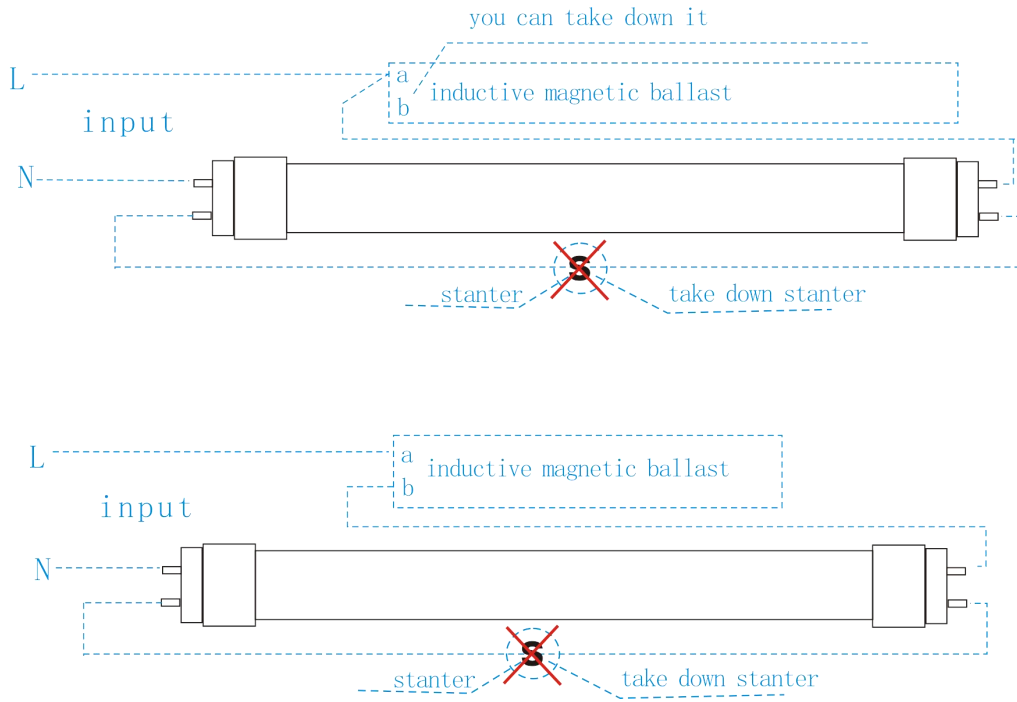
7.1 The Graphic Illustration for the Exchange of Electronic Ballast LED Tube

- (1) Switch off the power before installation
- (2) Take down the electronic ballast
- (3) Connected A and B, C and D of the traditional fluorescent lamp's base.
- (4) Connected the base (A, B, C, D) to the power line.



7.2 The Graphic Illustration for the Exchange of Inductive Ballast LED Tube

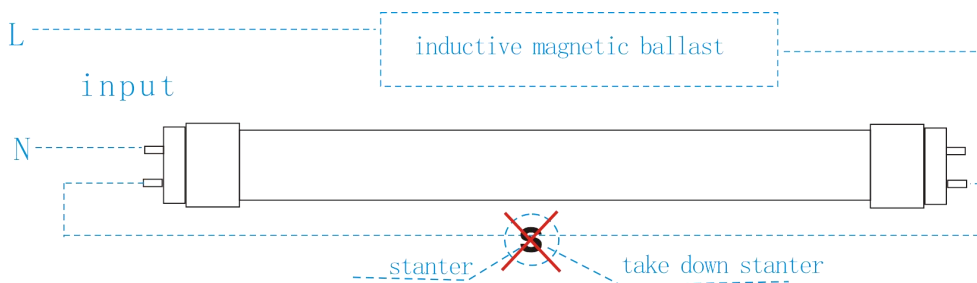
- (1) Switch off the power before installation
- (2) Take down the starter
- (3) Replace the traditional lamp with LED tube



7.3 The best energy-saving case

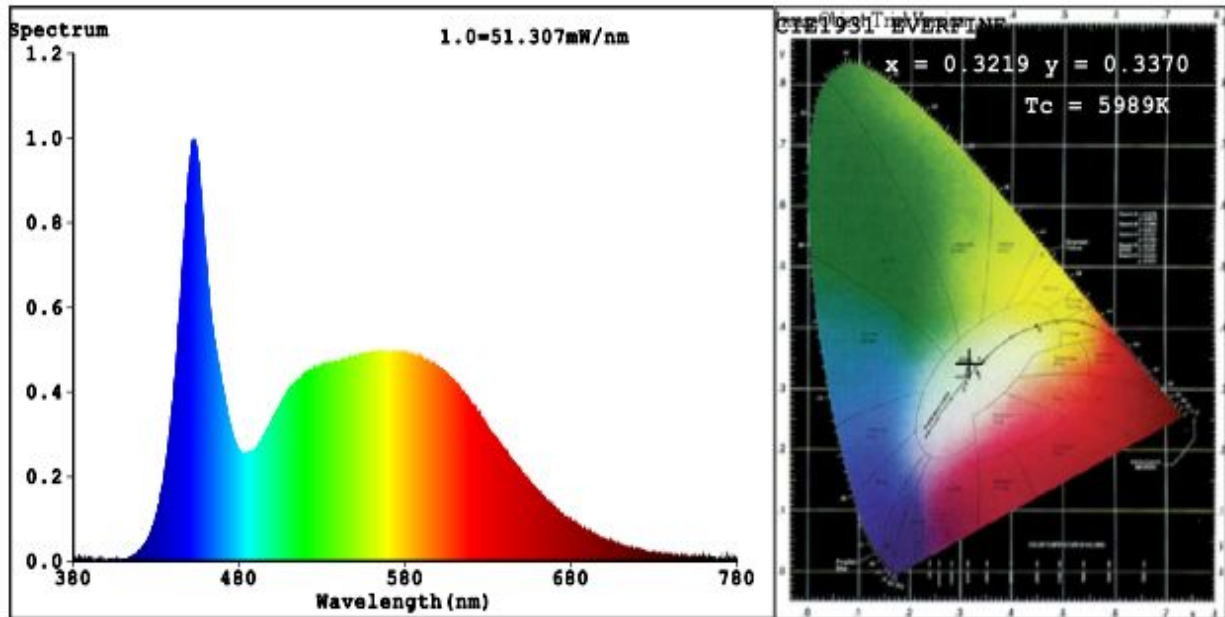
- (1) Switch off the power before installation
- (2) Take down the starter
- (3) Connected A and B of the inductive ballast, A and B form a short circuit, connecting to a terminal.

Or take down the ballast.



8. Test Report

Spectrum Test Report



Color Parameters:

Chromaticity Coordinate: $x=0.3219$ $y=0.3370$ $u'=0.2012$ $v'=0.4739$

Tc=5989K Dominant WL:Ld =495.9nm Purity=3.6%

Red Ratio:R=15.5% Peak WL:Lp=452.6nm HWL:Lhd=23.8nm

Render Index:Ra=84.5

R1 =83 R2 =90 R3 =93 R4 =83 R5 =83 R6 =85 R7 =88

R8 =70 R9 =13 R10=75 R11=83 R12=60 R13=85 R14=96 R15=78

Photo Parameters:

Flux = 2093 lm Eff. : 164.3 lm/W Fe = 4.683 W

Electrical parameters:

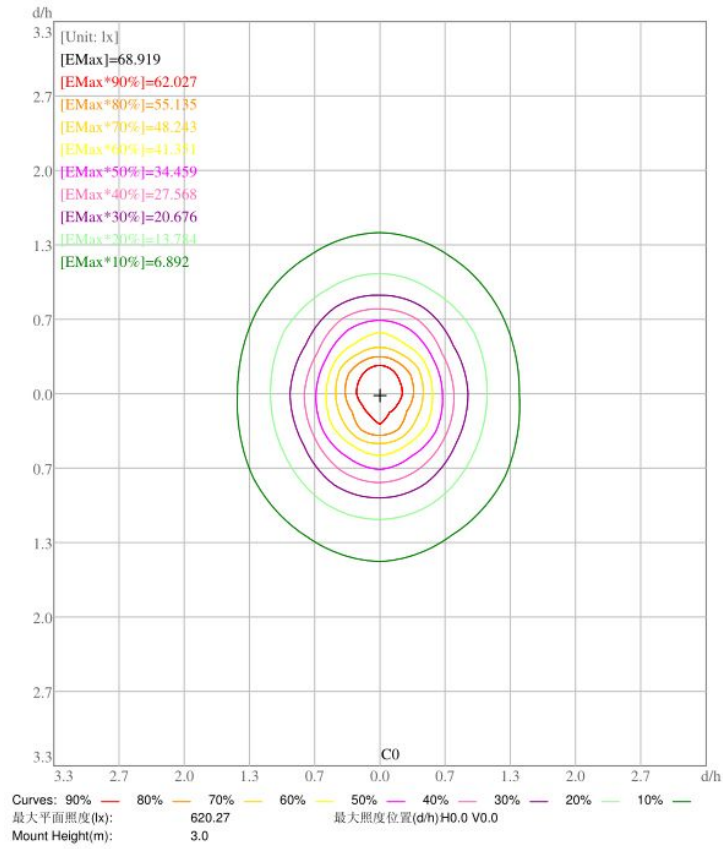
V = 217.2 V I = 0.0622 A P = 12.74 W PF = 0.9417

LEVEL: WHITE:ANSI_5700K

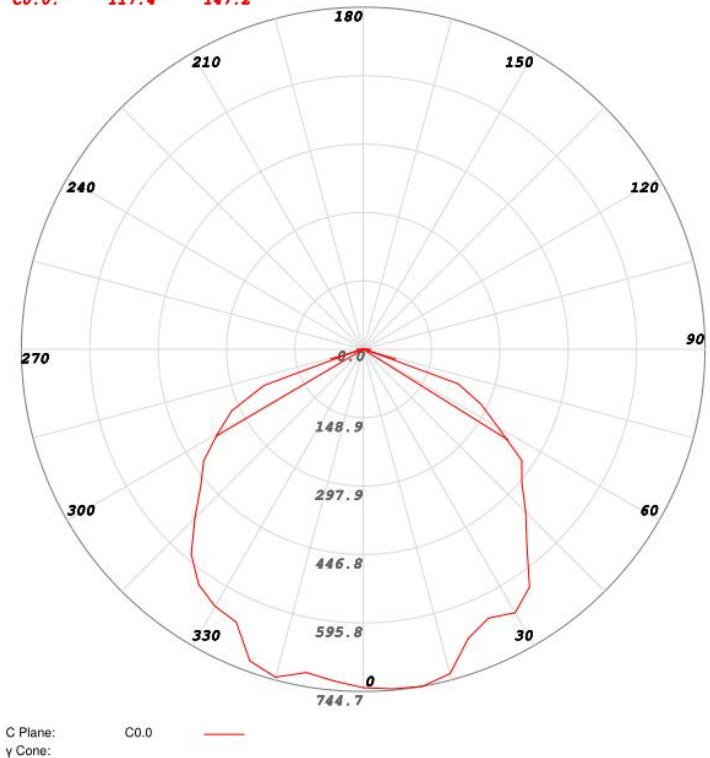
Status: Integral T = 298 ms Ip = 51805 (79%)

9. Optical Characteristics

平面等照度曲线

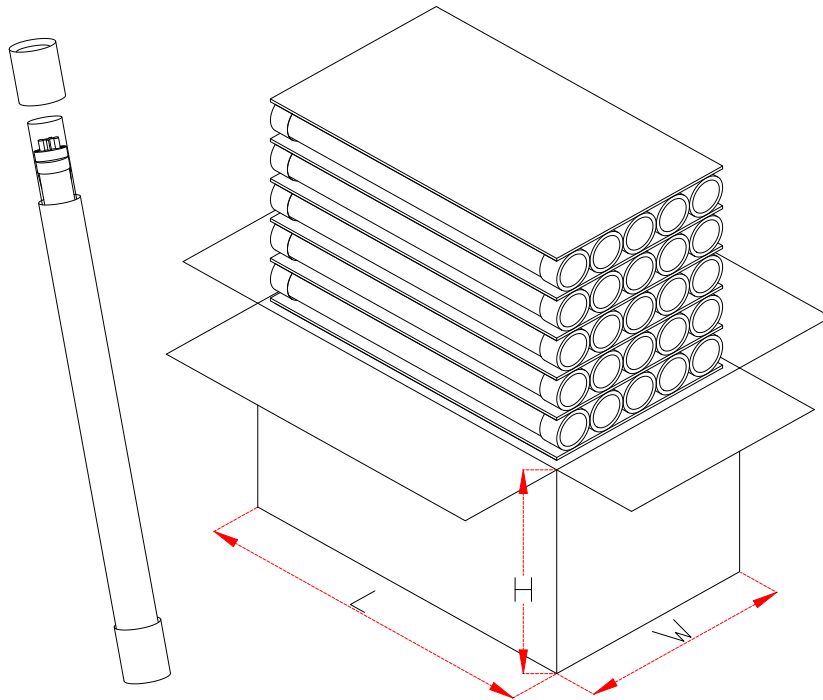


Plane [50%Ang.] [10%Ang.] 极坐标配光曲线
CO.0: 117.4 147.2



10. Package

Type	Pcs/carton	NG./carton	Carton size
WS-12WT8-170LM-2835-1.2M	25pcs	13.8kg	1250×220×220mm



11. Attentions

1. The working voltage is AC85-265V. Pls ensure the voltage when connected the power supply. The light would be destroyed permanently if connected with higher voltage.
2. After connecting with the power supply, no contact between the relative metal and the light base to prevent electric shock.
3. After unwrapping the package or before using it, pls check whether it is destroyed due to transportation. If there is any damage, pls stop using it to inform supplier. The product only could be used under intact conditions.
4. To ensure the product could be used normally, pls strictly follow the introduction and attention. The supplier shall not be responsible due to any of the damage caused by illegal operation.
5. Pls don't connect the LED tube and power supply in the high temperature condition. The lifespan would be shorted when it is employed under the higher temperature. It is recommended that the product should be used in room temperature.
6. Before installing, pls ensure the environment is suitable and it is recommended that it should be installed on stable place in case of vibration.
7. Due to the temperature of the lamp's surface could reach to 50°C, it is recommended that there is no devices which is sensitive to heat. To ensure the suitable working temperature, pls keep it from heat resources and be used in moderate environment.