



IK10 IP65 Led Linear Light

Model No.: **WNST-LI12M600L-60W-B04**

Content

1. Picture of Product.....	2
2. Features.....	2
3. Technical Data.....	3
4. Dimensions.....	3
5. Installation.....	4
6. Illuminance test report.....	5
7. Light distribution curve.....	6
8. Rectangle ISO Light Intensity Curve.....	7
9. Lux-Distance Curve.....	7
10. Package	8
11. Attentions.....	8

1. Picture of product



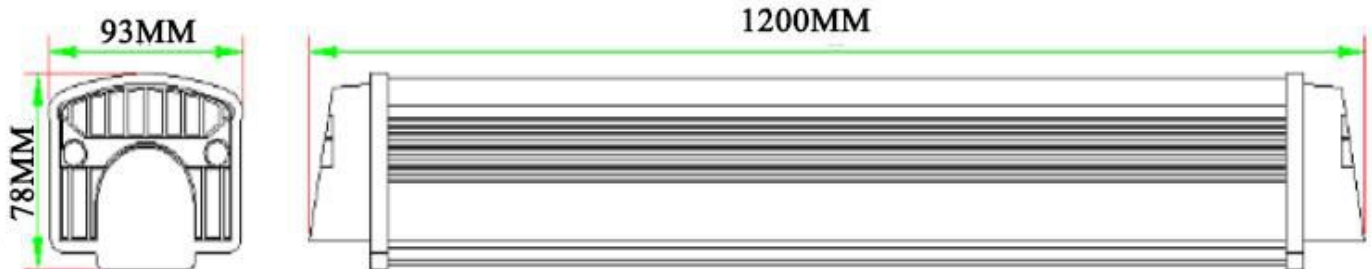
2. Features

- ❖ **Energy-efficient:** Under the same glowing effect, LED Linear Light conserve 60%-90% energy than the traditional energy-saving lamp, efficiently reducing the electricity expenditure.
- ❖ **Long lifespan:** LED Linear Light adopts light emitting semiconductor chip, without filament. It is not effected by vibration, with more than 50000 hours lifespan.(the ordinary energy-saving lamp only has 8000 hours lifespan)
- ❖ **Harmless light ray:** no ultraviolet ray and infrared ray, so no producing radiation.(there is ultraviolet ray and infrared ray in high voltage sodium lamp)
- ❖ **Environmental protection:** no harmful elements, such as mercury, xenon etc. Be easily recycled and no electromagnetic interference. (there is harmful element in high voltage sodium lamp. the electronic ballast produces electromagnetic interference)
- ❖ **Eyesight protection:** LED Linear Light employ DC driver with no flicker(ordinary lamp is AC driver with flicker)
- ❖ **High lighting efficiency:** with small heat, and 80% of the electric energy translated into visible light.(80% of the electric energy of ordinary incandescent lamp translated into heat energy, and only 20% translated into luminous energy)
- ❖ **High safety factor:** LED Linear Light need smaller voltage and electric current, producing smaller heat. So that there is no potential safety hazard, being suitable to mine field and other dangerous places.
- ❖ **Anti-mosquito:** LED Linear Light producing no ultraviolet ray, so that it is good for remaining indoor clear because it doesn't attract mosquito like traditional fluorescent lamp.
- ❖ **Convenience:** Traditional fluorescent lamp has to be replaced because of its short lifespan. LED lighting could save the cost associated with replacement or repairmen.
- ❖ **Application:** LED Linear Light is IP65 waterproof, dust prevention and corrosion prevention, widely application, no matter indoor use or outdoor use.

3. Technical data

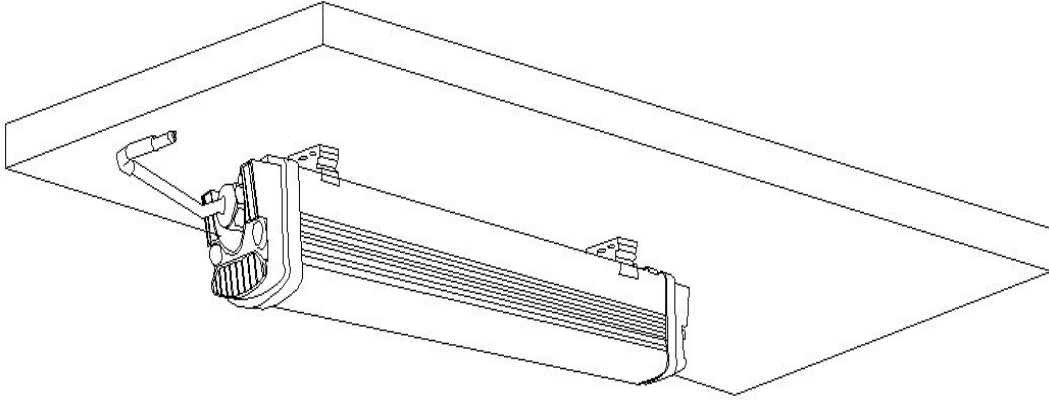
Model No.	WS-LI12M600L60W-B04
Power	60W±2
Input voltage	AC100V-240V, 50/60Hz
PF	≥0.95
Efficiency	≥ 90%
LED type	SMD2835
LM/1 LED	30-32lm
LED quantity	600pcs
Output Lumens	9000lm-9500lm
Luminous efficiency	150 lm/w-160lm/W
CCT	2700-3200K, 4000-4500K, 6000-6500K
CRI	Ra≥80
Beam angle	120°
Cover	Milky cover
Material	PC+Aluminum
Lifespan	≥ 50,000 hours
Guaranty	5 years maintenance
Working temperature	-35 ~ 55°C
Storage temperature	-40 ~ 80°C
Waterproof IP	IP65
Certificates	CE, RoHS, EMC, LVD approval

4. Dimensions

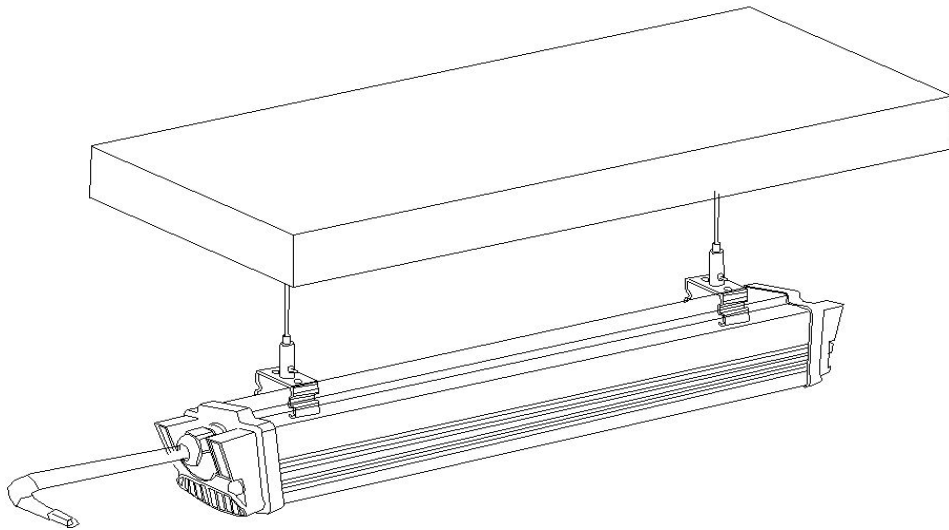


5. Installation

- Ceiling installing

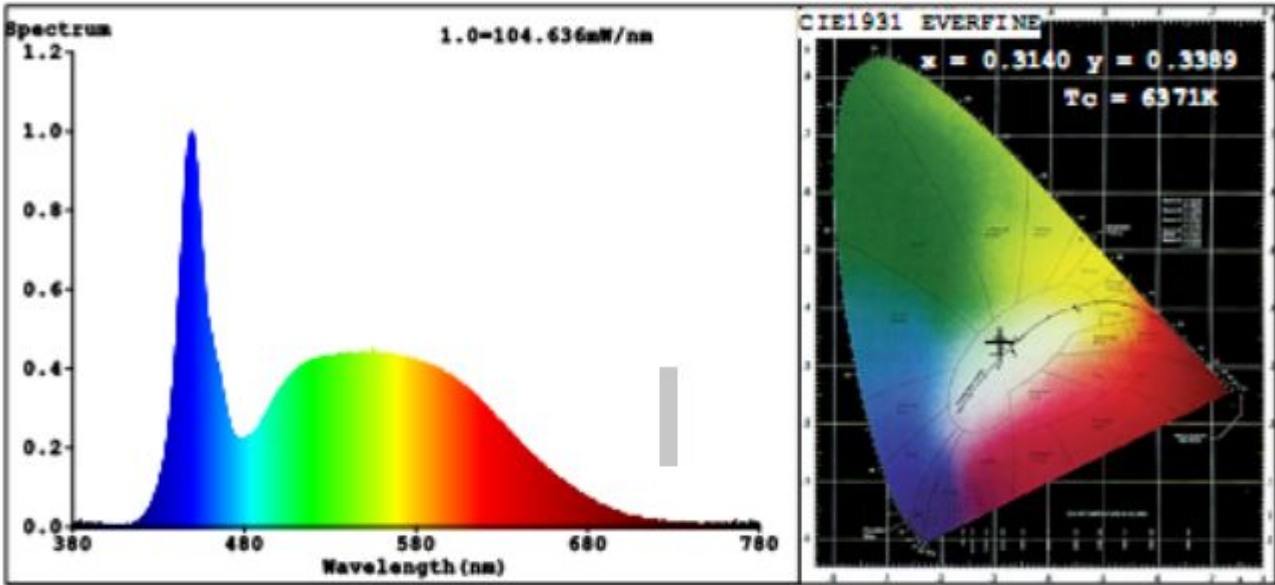


- Suspend installing



6. Illuminance test report

Spectrum Test Report



Color Parameters:

Chromaticity Coordinate: $x=0.3140$ $y=0.3389$ $u'=0.1950$ $v'=0.4737$
 $T_c=6371K$ Dominant WL: $L_d = 495.4nm$ Purity=6.2%
 Red Ratio: $R=14.4\%$ Peak WL: $L_p=449.3nm$ HWL: $L_{hd}=18.2nm$
 Render Index: $R_a=82.5$
 $R_1 = 80$ $R_2 = 86$ $R_3 = 92$ $R_4 = 82$ $R_5 = 81$ $R_6 = 82$ $R_7 = 88$
 $R_8 = 68$ $R_9 = 1$ $R_{10}=68$ $R_{11}=82$ $R_{12}=58$ $R_{13}=81$ $R_{14}=96$ $R_{15}=74$

Photo Parameters:

Flux = 9133 lm Eff. : 150.50 lm/W $F_e = 27.678 W$

Electrical parameters:

$V = 220.3 V$ $I = 0.28805 A$ $P = 60.69 W$ PF = 0.9564

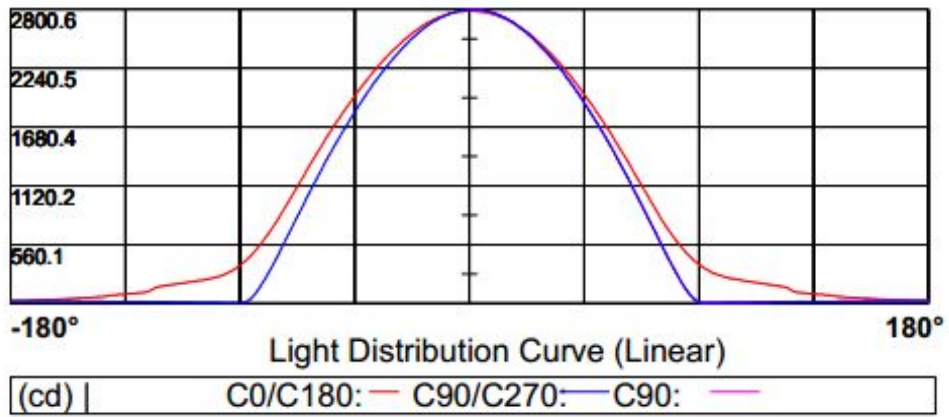
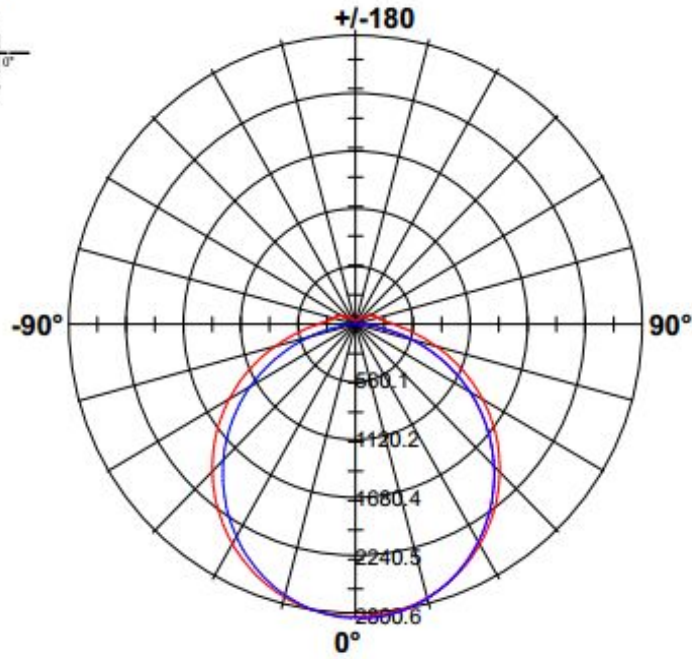
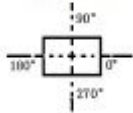
LEVEL:OUT WHITE:ANSI_4500K

Status: Integral T = 191 ms $I_p = 50059 (76\%)$

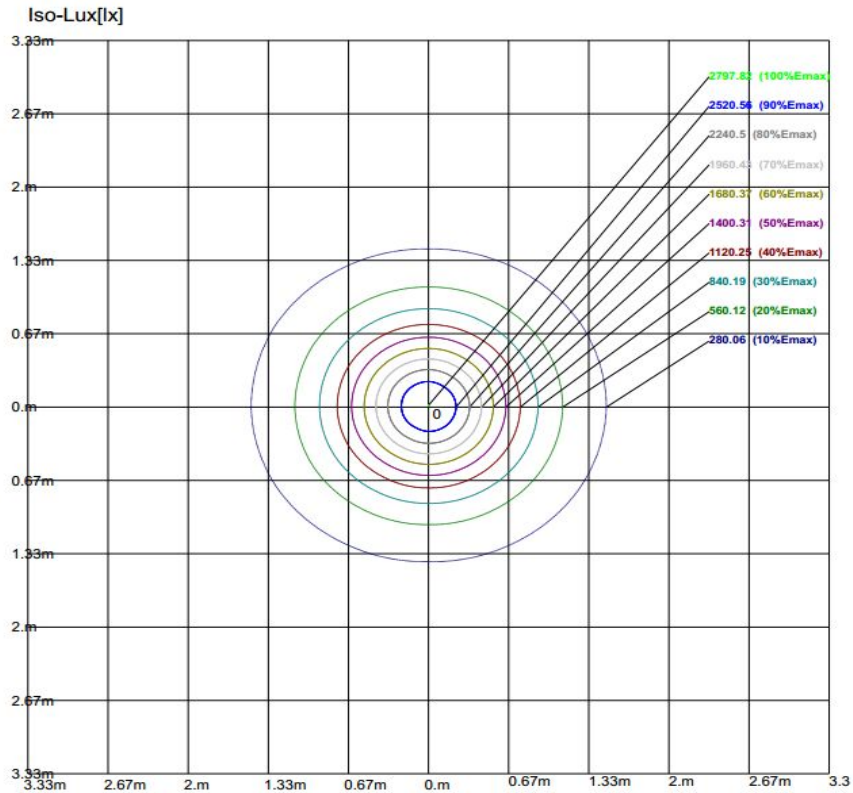
7. Light Distribution Curve

Light Distribution Curve [Unit: cd]

Luminaire

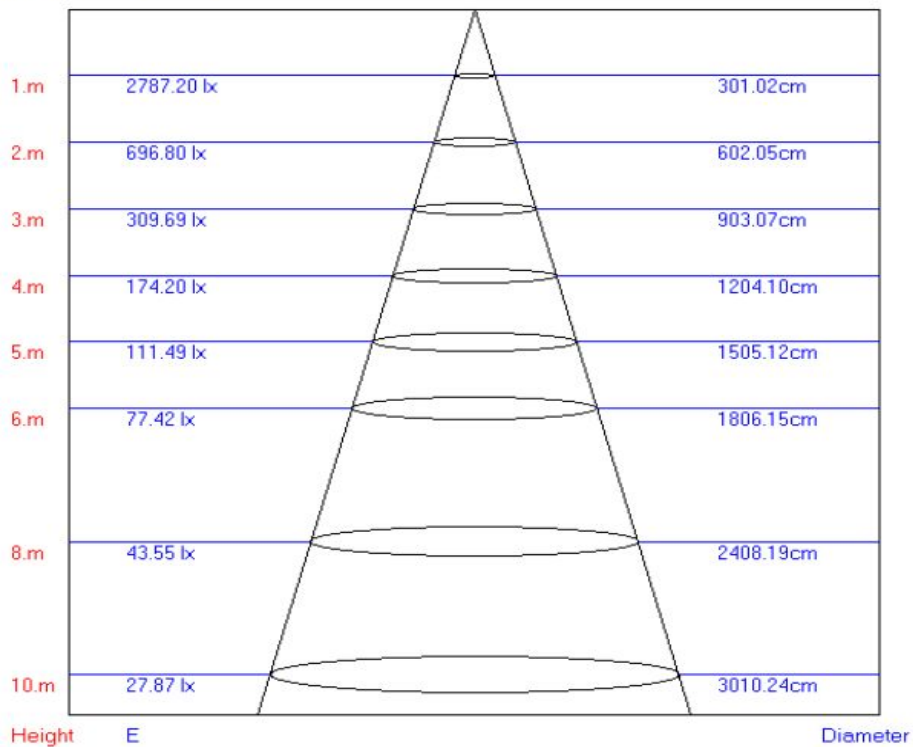


8. Rectangle ISO Light Intensity Curve



9. Lux-Distance Curve

Lux-Distance Curve



10. Package

Model No.	Pcs/carton	NG./carton	Carton size
WS-LI12M600L60W-B04	4pcs	14kg	127×230×220mm

11. Attentions

- ❖ The working voltage is AC100-240V. Pls ensure the voltage when connected the power supply. The light would be destroyed permanently if connected with higher voltage.
- ❖ After connecting with the power supply, no contact between the relative metal and the light base to prevent electric shock.
- ❖ After unwrapping the package or before using it, pls check whether it is destroyed due to transportation. If there is any damage, pls stop using it to inform supplier. The product only could be used under intact conditions.
- ❖ To ensure the product could be used normally, pls strictly follow the introduction and attention. The supplier shall not be responsible due to any of the damage caused by illegal operation.
- ❖ Pls don't connect the LED Linear Light and power supply in the high temperature condition. The lifespan would be shorted when it is employed under the higher temperature. It is recommended that the product should be used in room temperature.
- ❖ Before installing, pls ensure the environment is suitable and it is recommended that it should be installed on stable place in case of vibration.
- ❖ Due to the temperature of the lamp's surface could reach to 55°C, it is recommended that there is no devices which is sensitive to heat. To ensure the suitable working temperature, pls keep it from heat resources